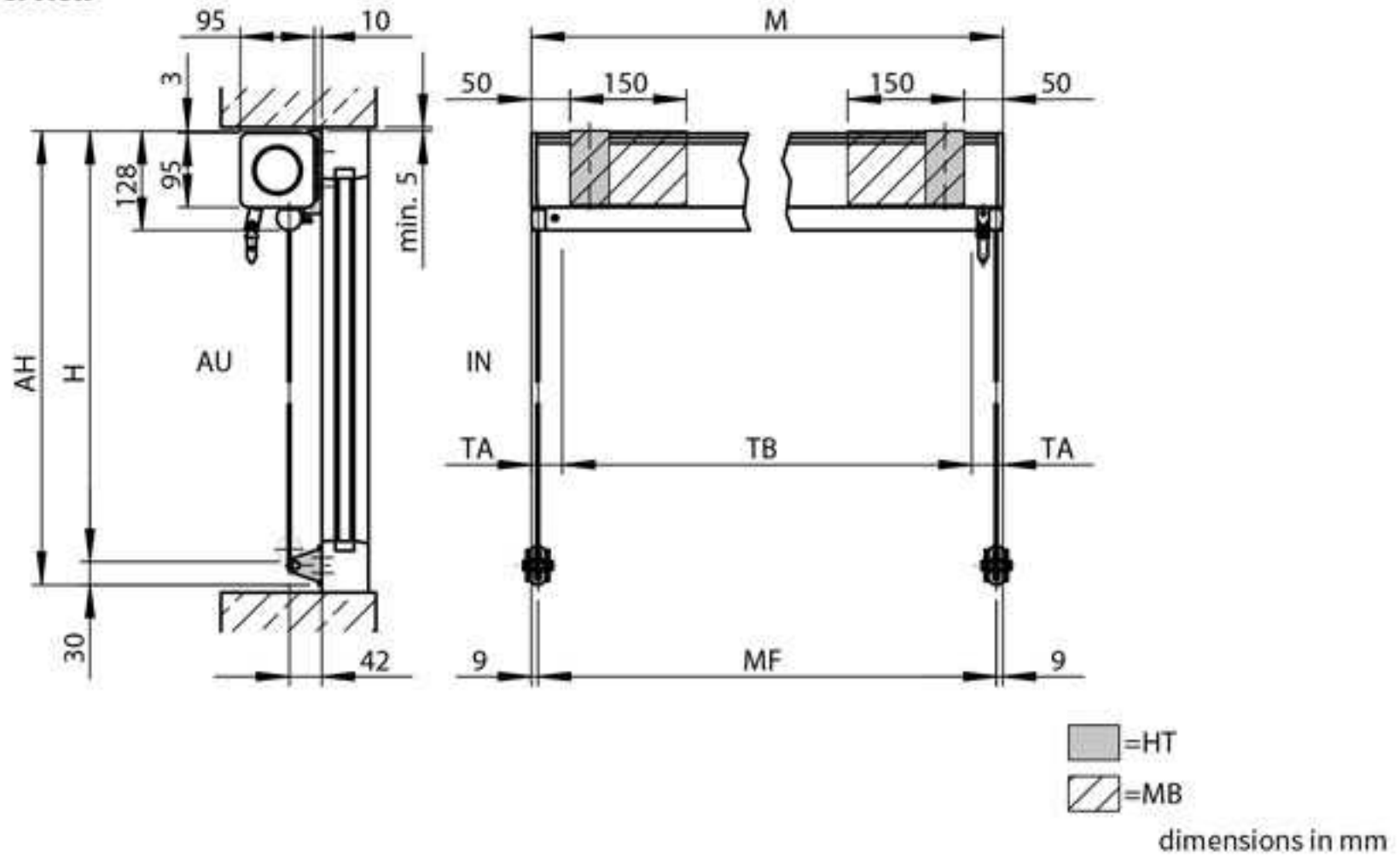
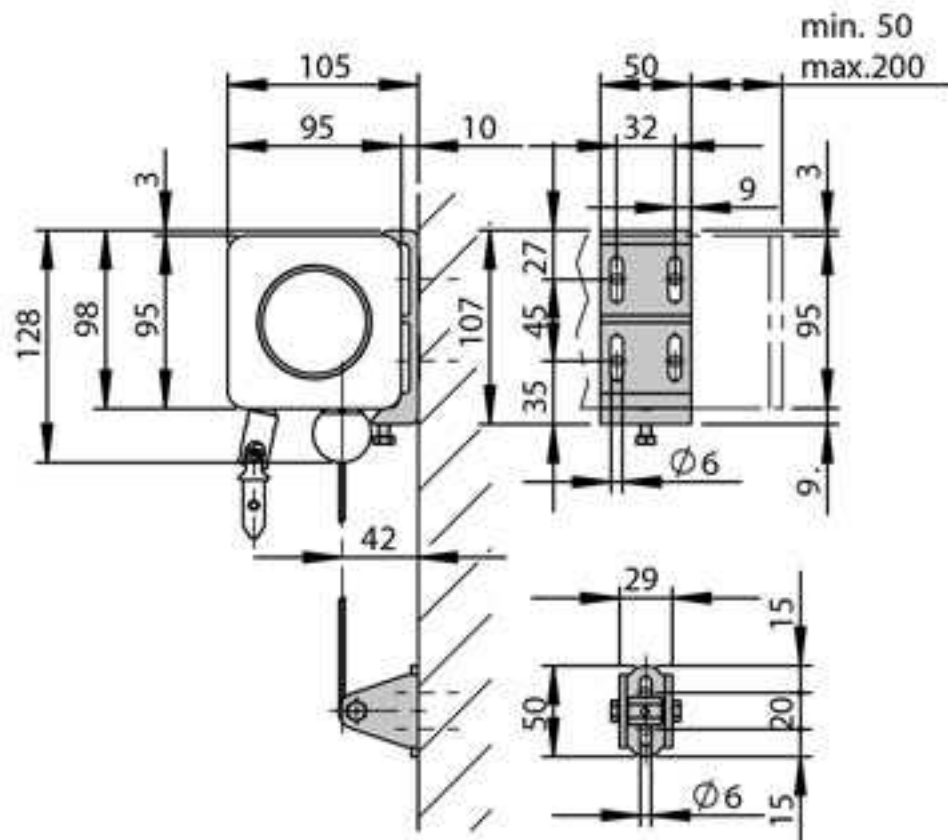


Dimension overview and installation markilux 710

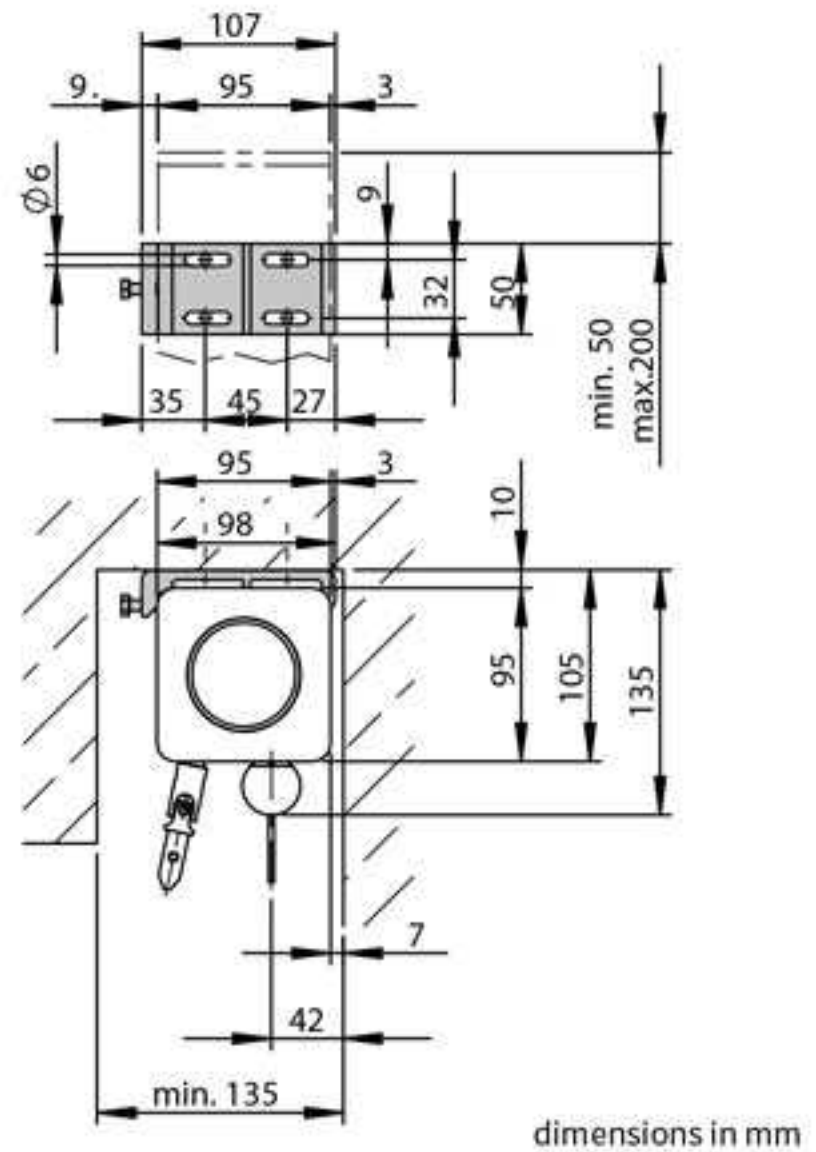
Dimension overview



Face fixture



Top and reveal fixture



AH = unit height

H = drop

M = overall blind width

HT = bracket

AU = exterior

IN = interior

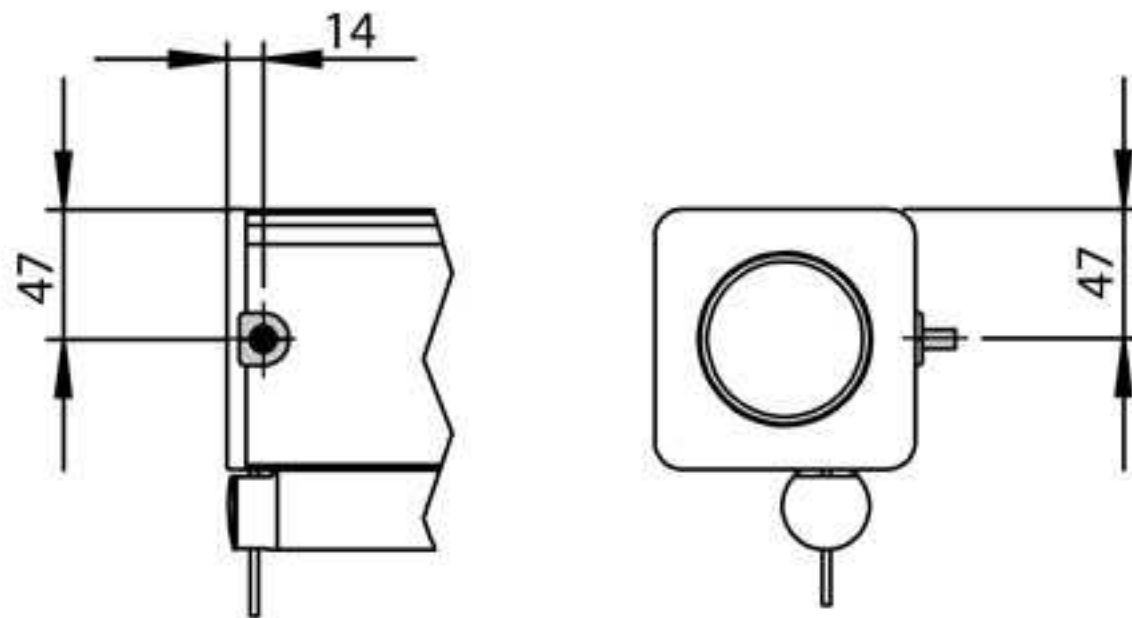
TB = cover width

MF = centre of the cable guide, centre of the stainless steel guide rod, fixture width

TA = cover reduction dimensions (operation side = 50 mm, bearing side = 30 mm)

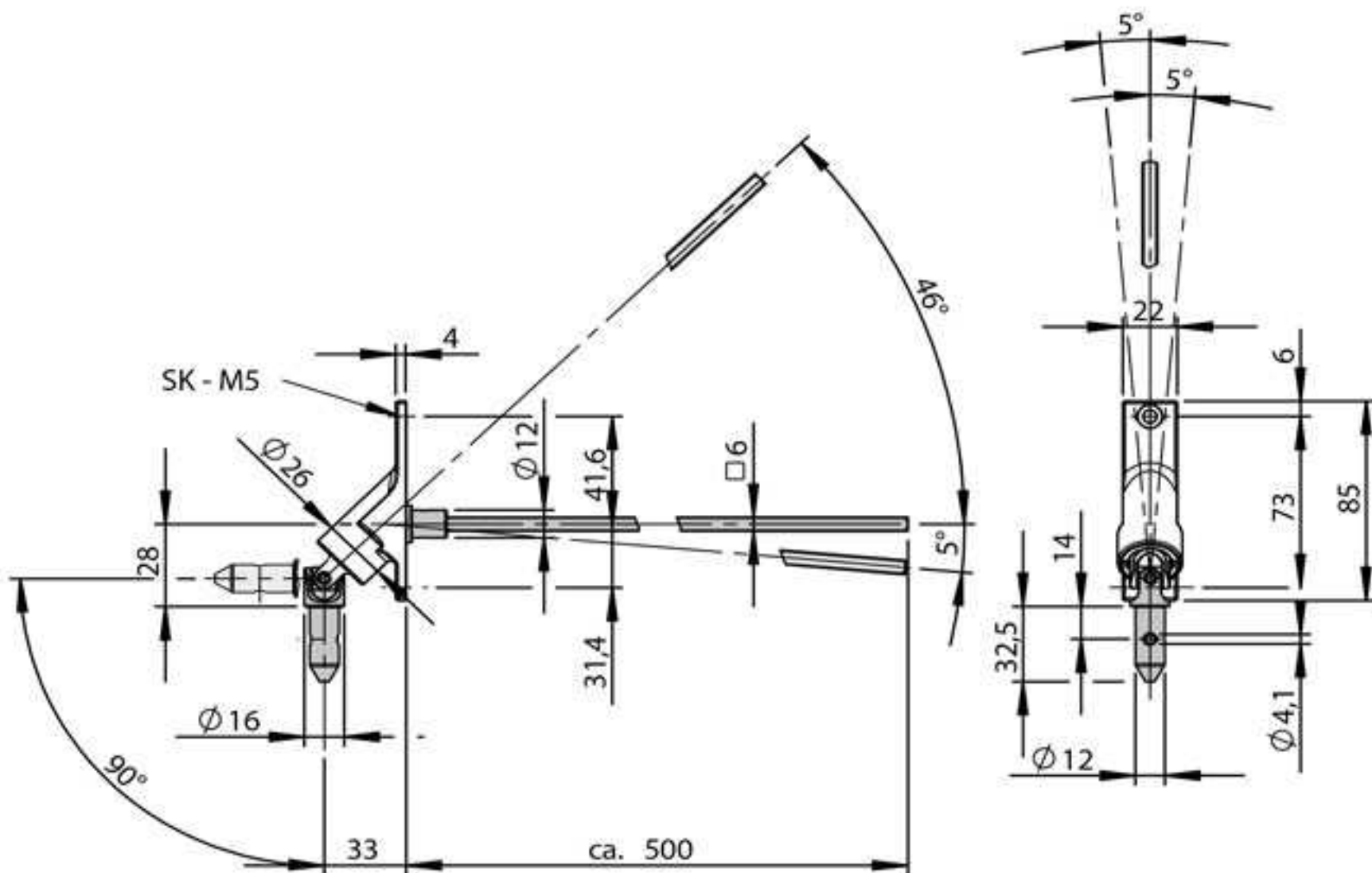
Installation markilux 710

Cable exit point in the case of motor-driven units



dimensions in mm

Winding handle for interior operation \varnothing 16 mm up to a vertical angle of 90° and a horizontal angle of 5°

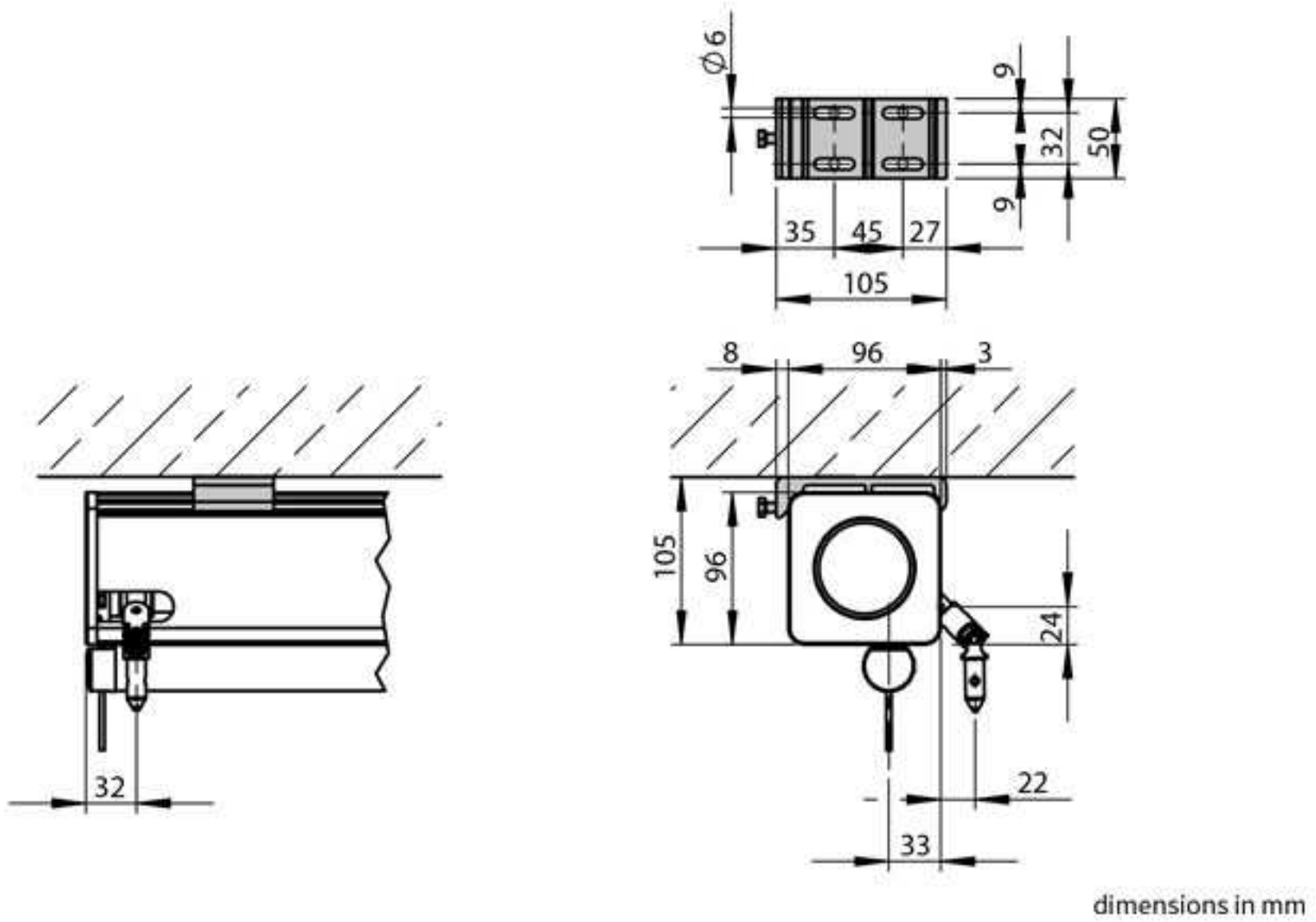


dimensions in mm

SK = chase out depth

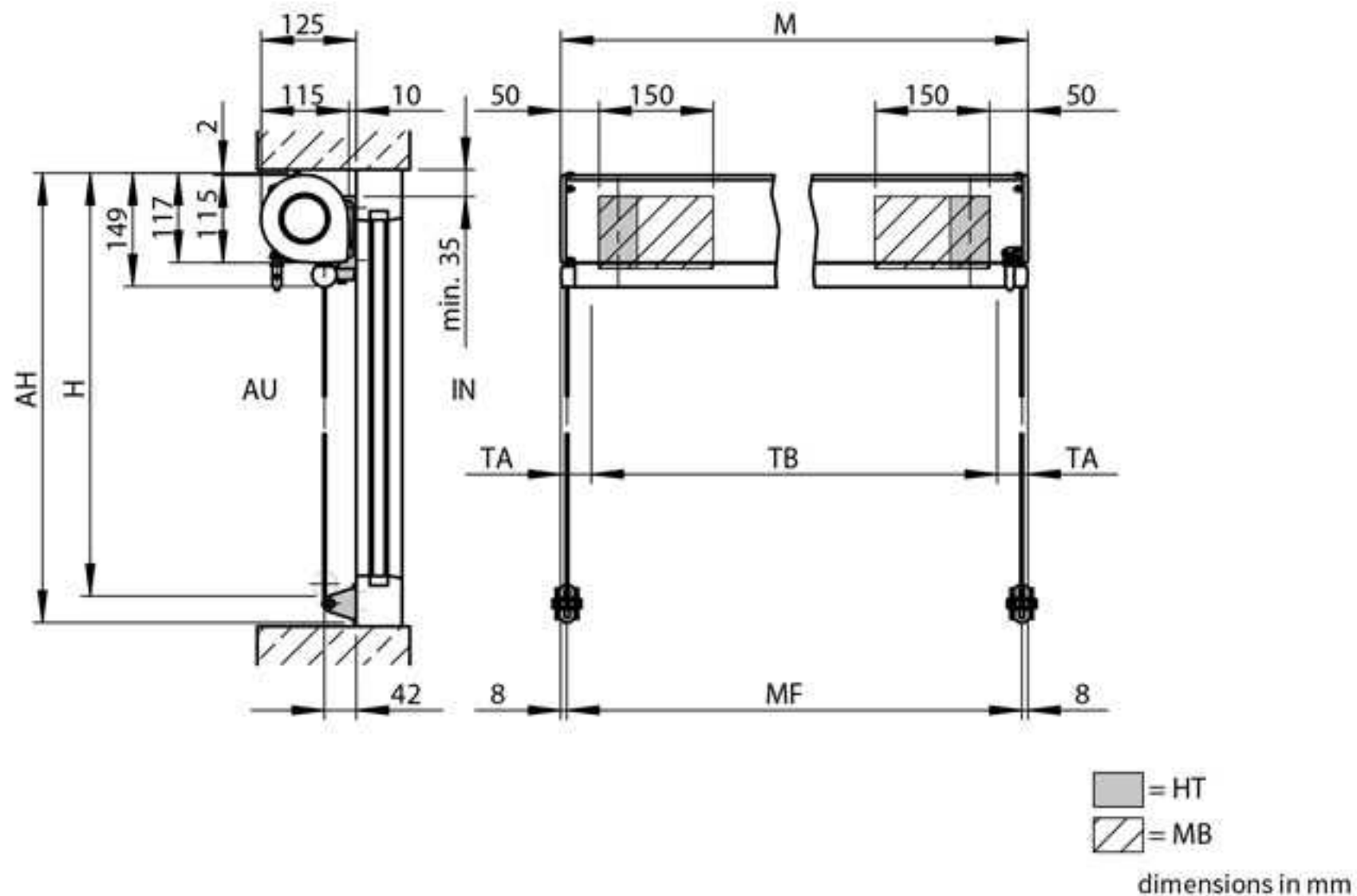
Installation markilux 710

Operation from the rear



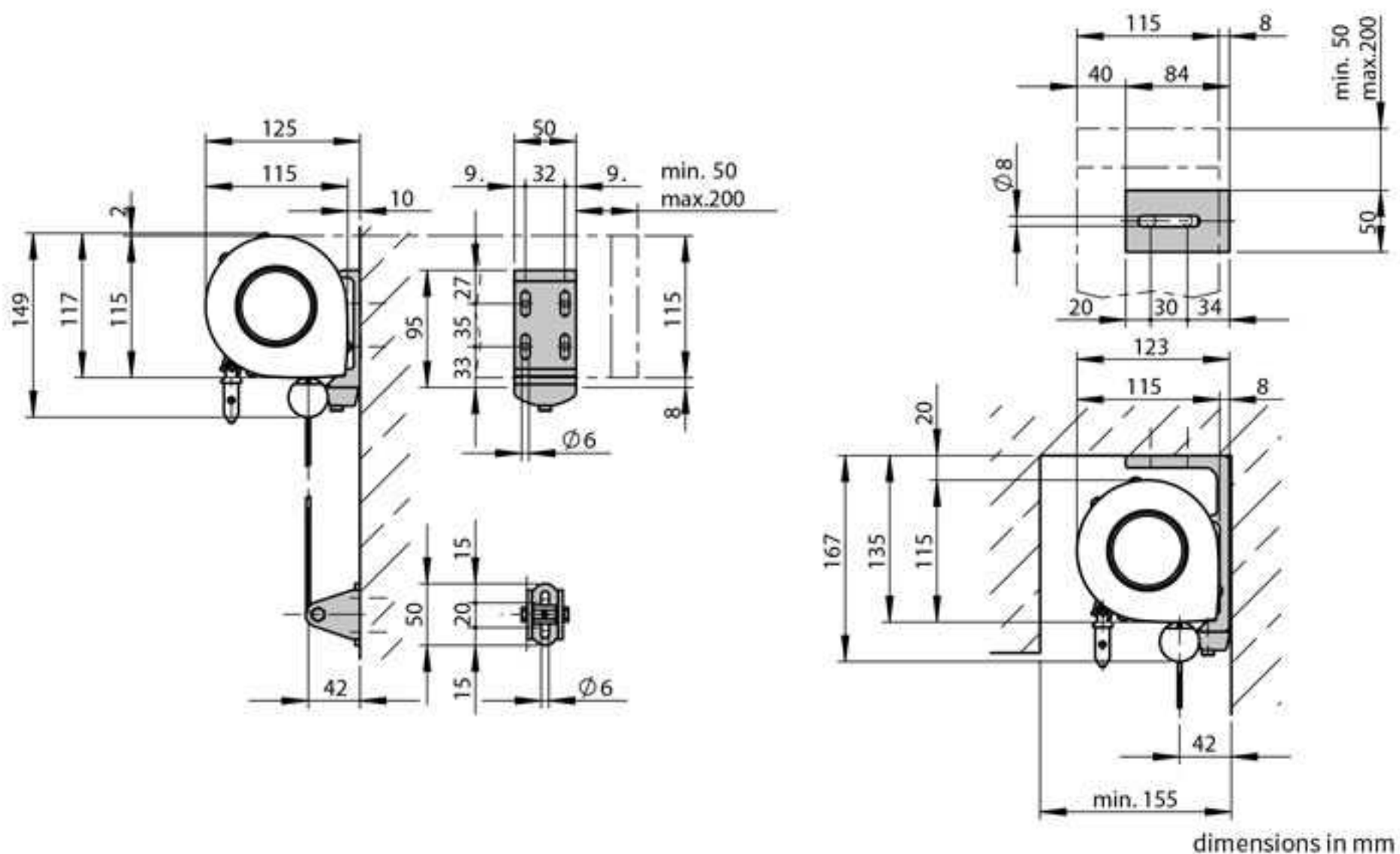
Dimension overview and installation markilux 810

Dimension overview



Face fixture

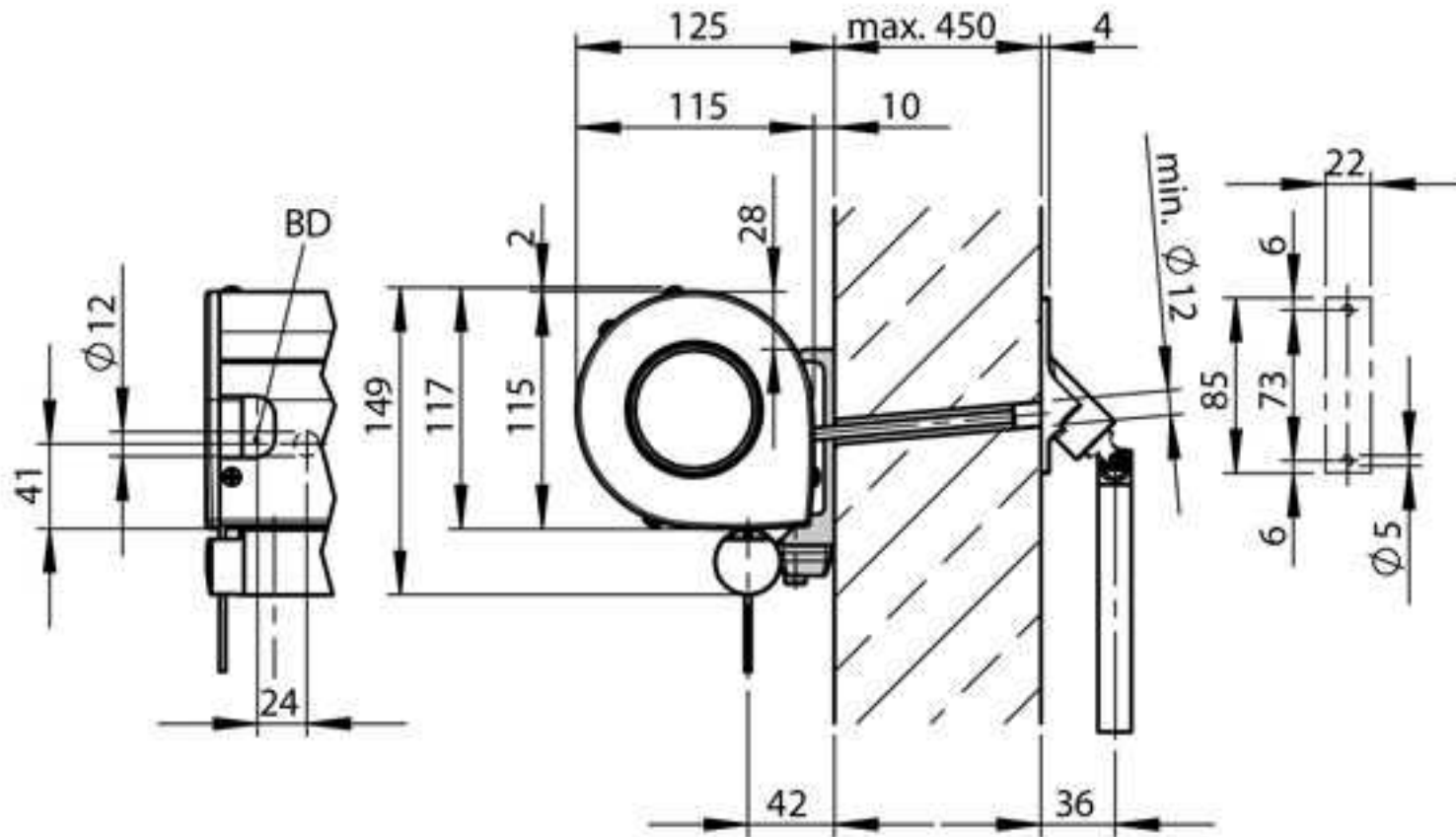
Top and reveal fixture



- AH = unit height
- H = drop
- M = overall blind width
- HT = bracket
- AU = exterior
- IN = interior
- TB = cover width
- MF = centre of the cable guide, fixture width
- TA = cover reduction dimensions (operation side = 50 mm, bearing side = 30 mm)

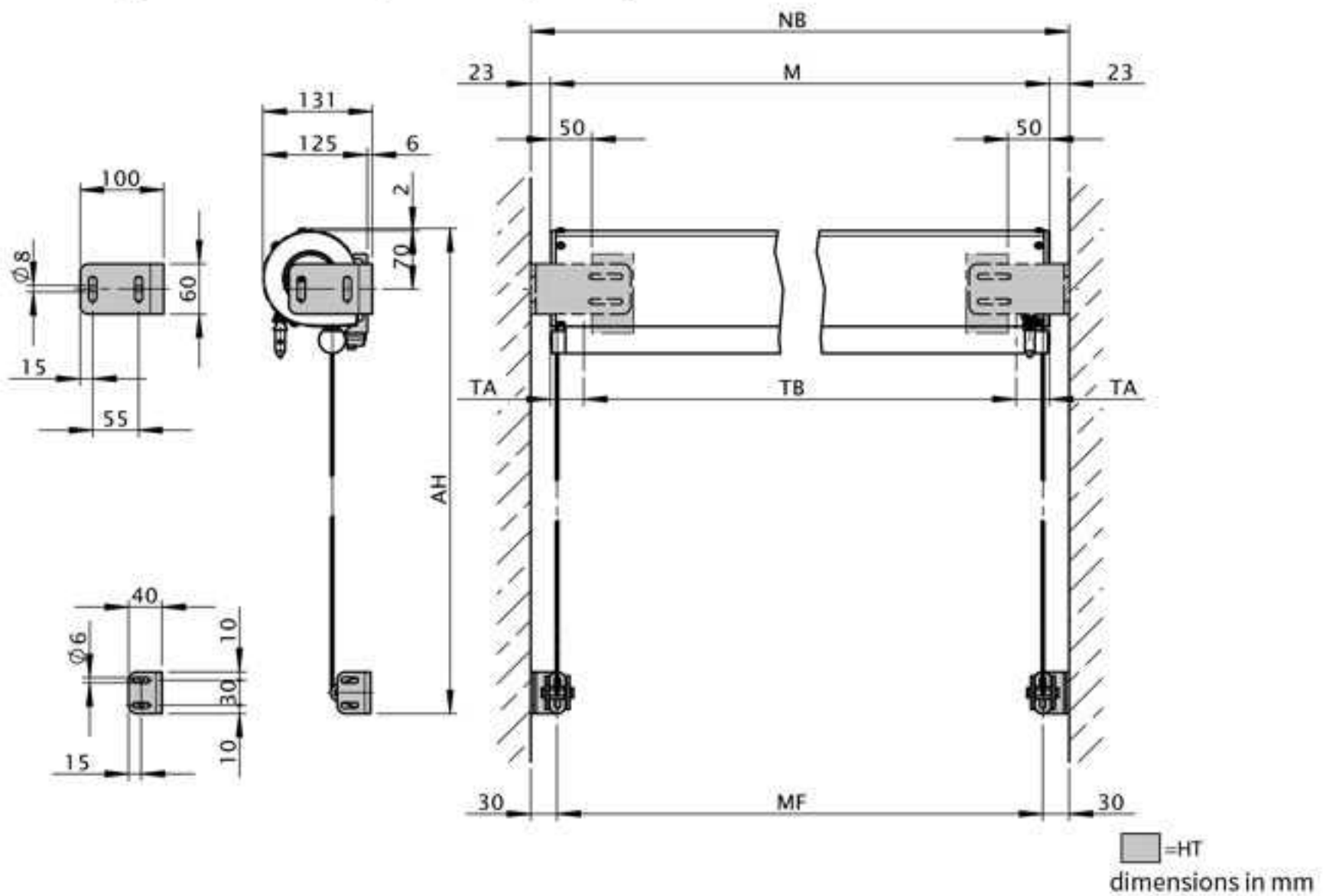
Installation markilux 810

Face fixture with interior operation



dimensions in mm

Reveal fixture for gearbox and motor operation respectively

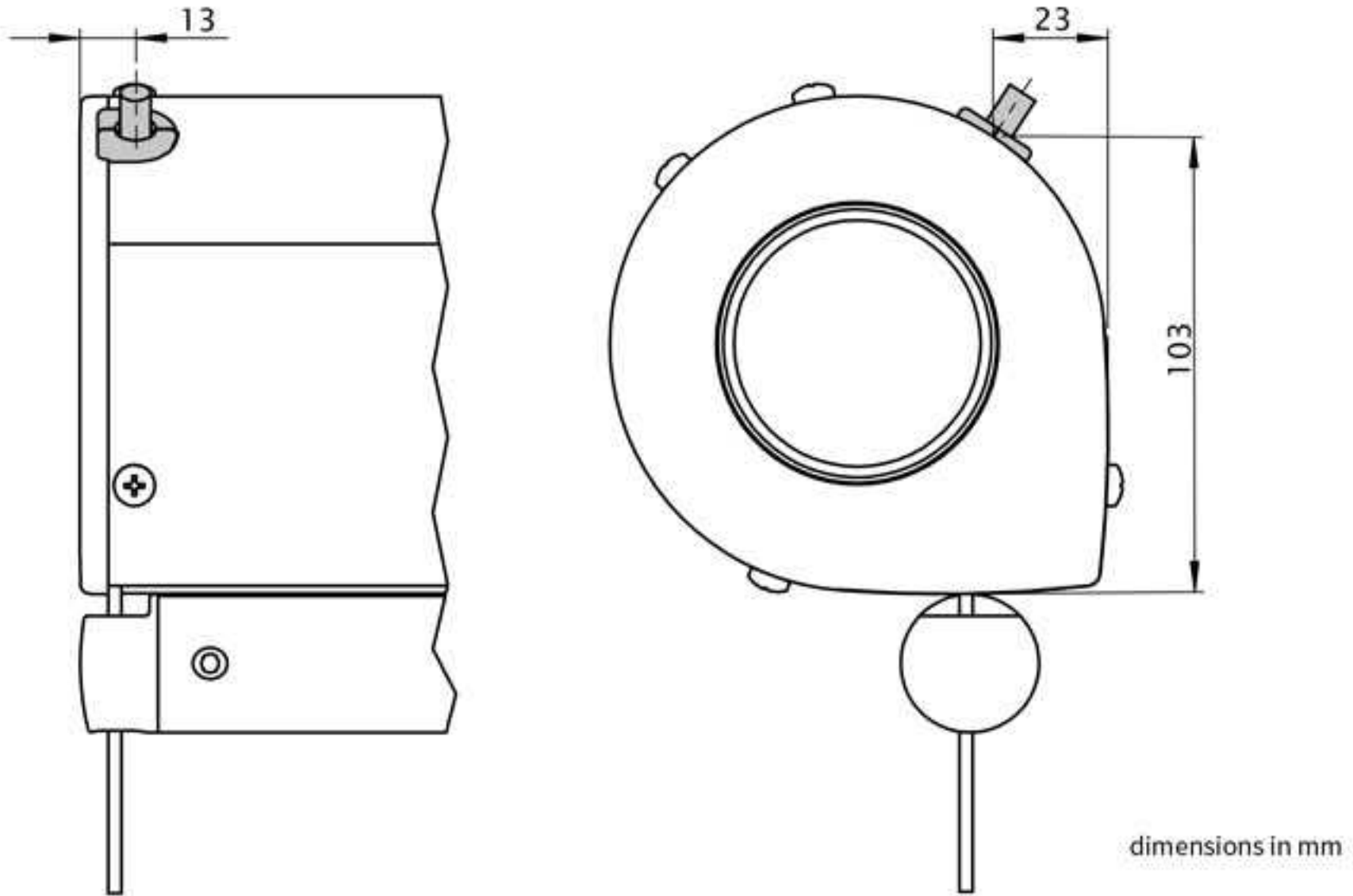


HT = bracket
dimensions in mm

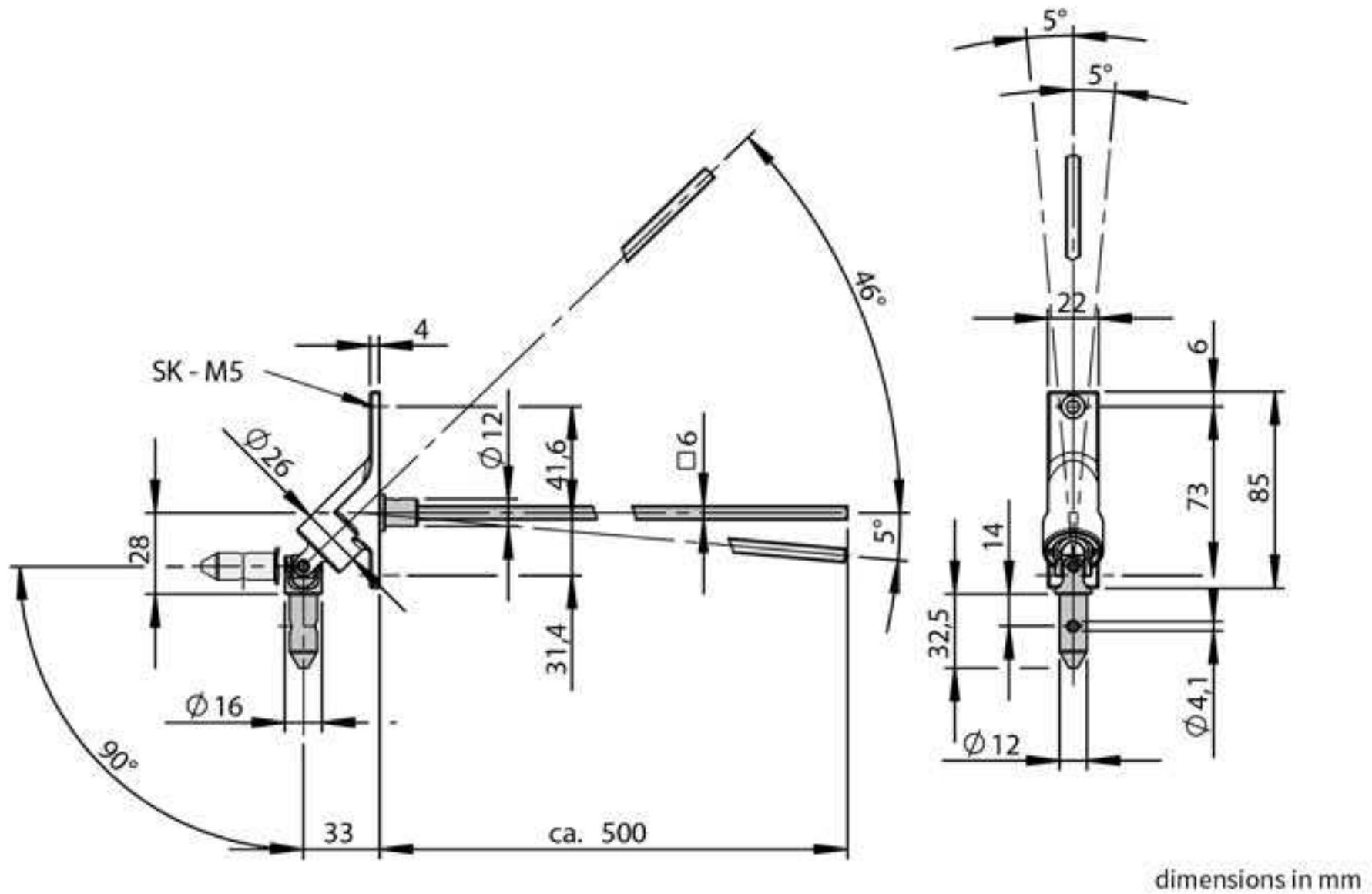
- AH = unit height
- M = overall blind width
- HT = bracket
- NB = reveal width
- BD = horizontal drill hole
- TB = cover width
- MF = centre of the cable guide, centre of the stainless steel guide rod, fixture width
- TA = cover reduction measurements (operation side = 45 mm, bearing side = 35 mm)

Installation markilux 810

Cable exit point in the case of motor-driven units



Winding handle for interior operation \varnothing 16 mm up to a vertical angle of 90° and a horizontal angle of 5°



Installation markilux 810

Operation from the rear

